

SINGER
9027N503,N603,N664

LIST OF PARTS

Sewing Machine Models

9027N503

9027N603

9027N664

by **SINGER** *



A Publication of Product Support
International Group Engineering

Part No.317161-049

Printed in Taiwan

* A trademark of The Singer Company
Copyright 1993, Singer Sewing Machine Company

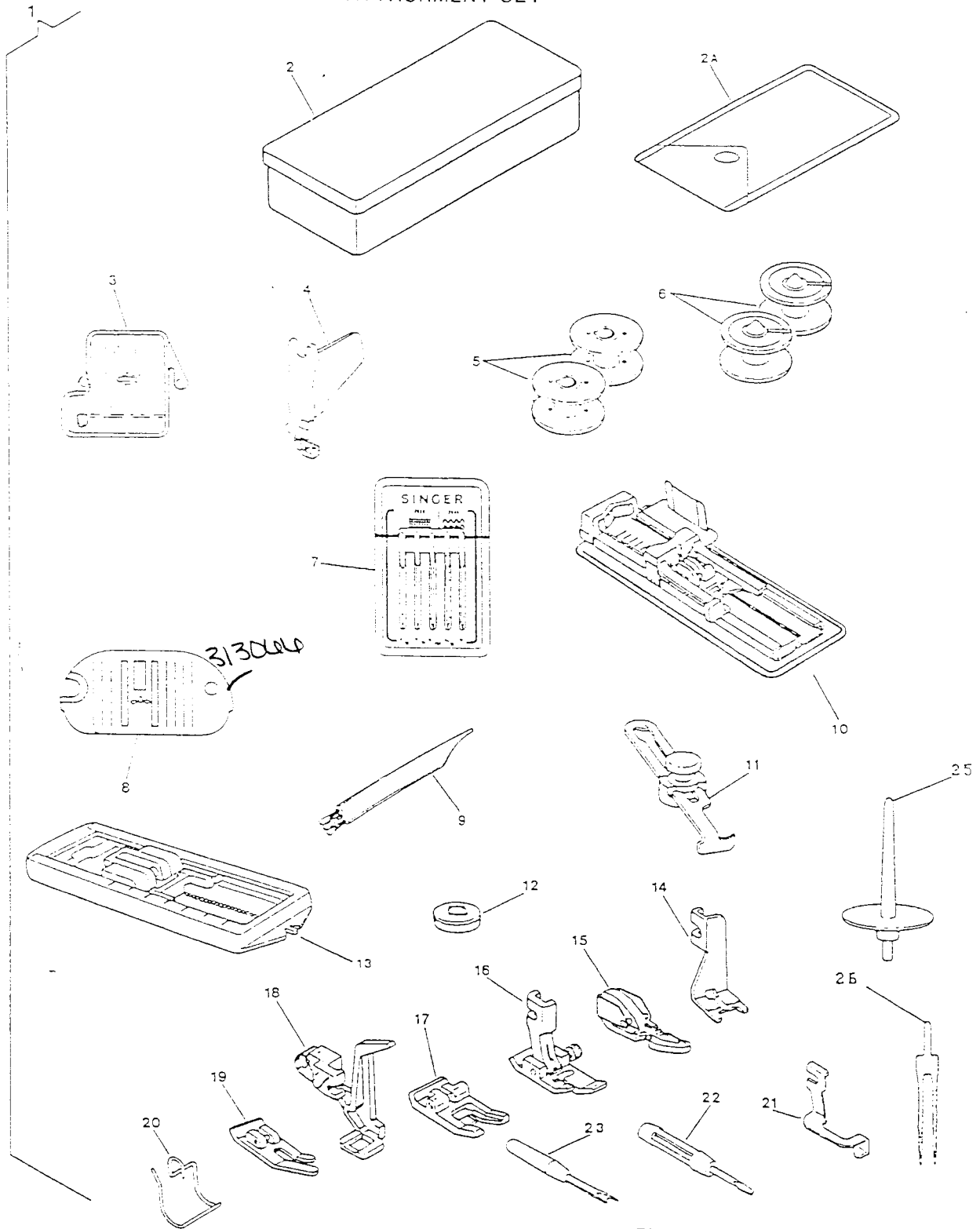
All rights reserved throughout the world

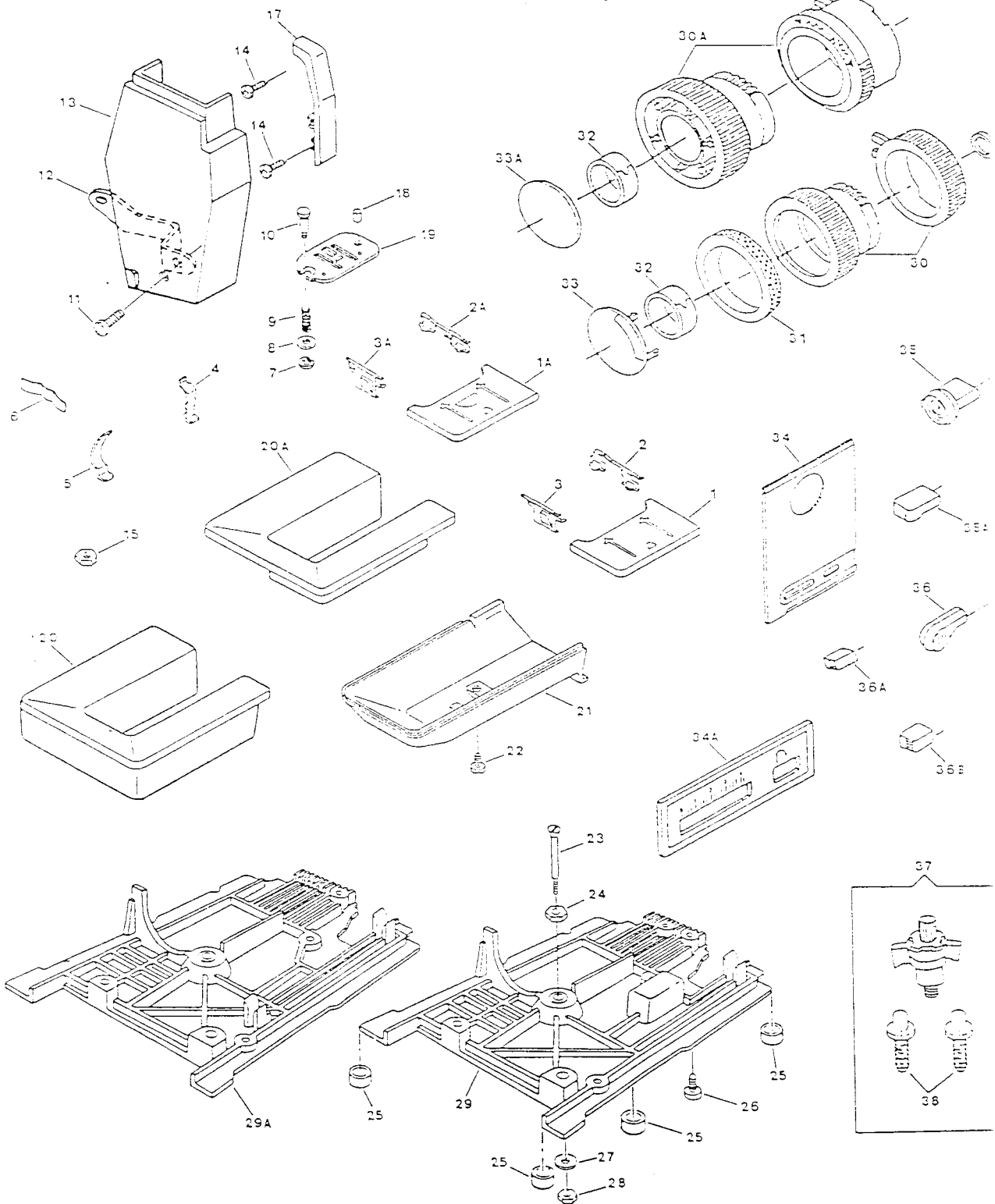
INDEX

PAGE NO.	SUBASSEMBLY
1, 2	ATTACHMENT SET
3, 4	COVERS AND ADD ONS
5, 8	ARM TOP COVER
9, 10	ARM SHAFT DRIVE SYSTEM
11, 12	HAND WHEEL
13, 14	COAXIAL PRESSER BAR SYSTEM
15, 16	NEEDLE BAR & THREAD TAKE-UP
17, 18	ALPHA FEED
19, 20	HOOK SYSTEM (APOLLO)
21, 22	HOOK AND BOBBIN WINDING SYSTEM (CENTAUR)
23, 28	PATTERN, STITCH LENGTH CONTROL & CAM CONTROLLED FEED
29, 30	DEMAND RESPONSIVE NEEDLE TENSION SYSTEM
31, 34	ELECTRICAL EQUIPMENT

ATTACHMENT SET
MODEL: 9027N503 N603 N664

REF. PART NO.	PART NO.	DESCRIPTION	9N	9N	9N
			05	06	06
			20	20	26
			73	73	74
1	313030-007	ATTACHMENT COMPLETE	X	X	X
2A	317396	ACCESSARY BAG	X	X	X
5	172336-001	BOBBIN (APOLLO)	X	X	X
7	353364	NEEDLE PACK (ALT:354064)	X	X	X
9	546358	LINT BRUSH	X	X	X
13	313992-451	PRESSER FOOT PLATE (4-STEPS) FOR SEWING BUTTONHOLES	X	X	X
15	171480	PRESSER FOOT PLATE (SNAP-ON) FOR CORDING AND SLIDE FASTENERS COMPLETE	X	X	X
17	171463	SPECIAL PURPOSE PRESSER FOOT PLATE (SNAP-ON)	X	X	X
11	171110	BLINDSTITCH GUIDE	X	X	X
25	313026-452	TWIN NEEDLE SPOOL PIN	X		
26	N2025-014	TWIN NEEDLE	X		





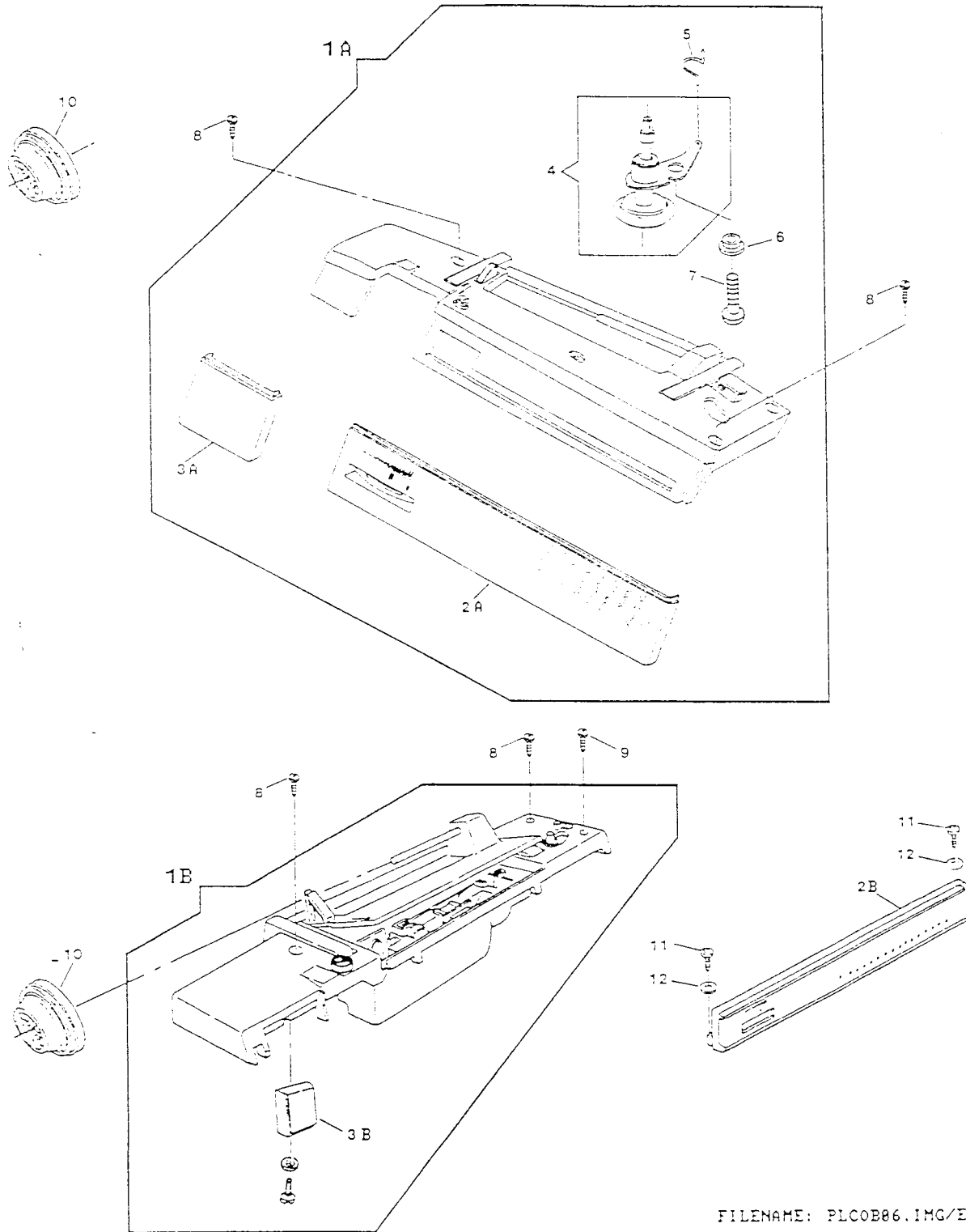
From the library of: Diamond Needle Corp

COVERS AND ADD ONS
MODEL: 9027N503 N603 N664

REF. PART NO. NO.	DESCRIPTION	9N	9N	9N	
		05	06	06	
		20	20	26	
		73	73	74	
1	314666	BED SLIDE ASSEMBLY COMPLETE (APOLLO)	X	X	X
2	314669	BED SLIDE SPRING (RIGHT)	X	X	X
3	314670	BED SLIDE SPRING (LEFT)	X	X	X
4	313178	BED SLIDE STOP	X	X	X
5	313179	BED SLIDE STOP SPRING	X	X	X
6	313119	CLOTH PLATE SPRING	X	X	X
7	313098	THROAT PLATE PLUNGER RETAINING RING	X	X	X
8	549426-451	THROAT PLATE PLUNGER WASHER	X	X	X
9	311805	THROAT PLATE PLUNGER SPRING	X	X	X
10	312904	THROAT PLATE PLUNGER	X	X	X
11	113521-451	FACE PLATE MOUNTING SCREW	X	X	X
12	314263	FACE PLATE MOUNTING BRACKET	X	X	X
13	314259-008	FACE PLATE COMPLETE	X	X	X
14	113470-003	THREAD TAKE-UP COVER MOUNTING SCREW	X	X	X
15	313049	BED INSERT NUT	X	X	X
17	314716-459	THREAD TAKE-UP COVER	X	X	X
18	355424	THROAT PLATE LOCATING PIN	X	X	X
19	310777	THROAT PLATE FOR BIG BAG SEWING	X	X	X
20	317361-452	CLOTH PLATE			X
20A	317379-901	CLOTH PLATE	X	X	
21	312773-454	BED COVER (TUBULAR)	X	X	X
22	354633-452	BED COVER (TUBULAR) SCREW	X	X	X
23	313052-451	BOTTOM COVER MOUNTING BOLT	X	X	X
24	343173-451	BOTTOM COVER MOUNTING BOLT RETAINING NUT	X	X	X
25	313909-451	BED LEG CUSHION	X	X	X
26	113455-002	BED COVER PLATE (BOTTOM) SCREW	X	X	X
27	314711-451	BOTTOM COVER MOUNTING BOLT WASHER	X	X	X
28	313177-452	BOTTOM COVER MOUNTING BOLT MOUNTING NUT	X	X	X
30A	314239-472	PATTERN SELECTOR KNOB AND STITCH BALANCE KNOB KIT ASSEMBLY	X	X	X
32	313535	PATTERN SELECTOR KNOB COMPRESSION RING	X	X	X
33A	314744-483	PATTERN SELECTOR KNOB TRIM PLATE			X
33A	314744-501	PATTERN SELECTOR KNOB TRIM PLATE	X	X	
34A	317009-026	STITCH LENGTH CONTROL PANEL WITH GRAPHICS	X	X	
34A	137526-004	STITCH LENGTH CONTROL PANEL WITH GRAPHICS			X
35A	312657-468	REVERSE FEED CONTROL LEVER KNOB (PLASTIC)	X	X	X
36A	314676-468	BIGHT AMPLITUDE CONTROL LEVER KNOB (PLASTIC)	X	X	X
36B	312664-469	STITCH LENGTH CONTROL LEVER KNOB AND TENSION REGULATING KNOB (PLASTIC)	X	X	X
37	313180	MACHINE HOLD DOWN MOUNTING KIT	X	X	X
38	148669	MACHINE LOCATOR PIN	X	X	X

ARM TOP COVER
 MODEL: 9027N503 N603 N664

REF. PART NO.	PART NO.	DESCRIPTION	9N	9N	9N
			05	06	06
			20	20	26
			73	73	74
1A	317027-022	ARM TOP COVER COMPLETE WITH HANDLE	X	X	
1A	317027-028	ARM TOP COVER COMPLETE			X
2A	137592-901	CONTROL PANEL WITH GRAPHICS	X	X	
2A	137592-904	CONTROL PANEL WITH GRAPHICS			X
3A	314703-925	CONTROL PANEL EXTENSION WITH GRAPHICS	X	X	
3A	314703-813	CONTROL PANEL EXTENSION WITH GRAPHICS			X
4	312901	BOBBIN WINDER ASSEMBLY	X	X	X
5	312897	BOBBIN WINDER LEVER SPRING	X	X	X
6	312613	BOBBIN WINDER LEVER HINGE SCREW SHOULDER WASHER	X	X	X
7	354927-004	BOBBIN WINDER LEVER HINGE SCREW	X	X	X
8	354927-001	ARM TOP COVER MOUNTING SCREW	X	X	X
10	199967-461	SPOOL PIN THREAD LEAD-OFF	X	X	X

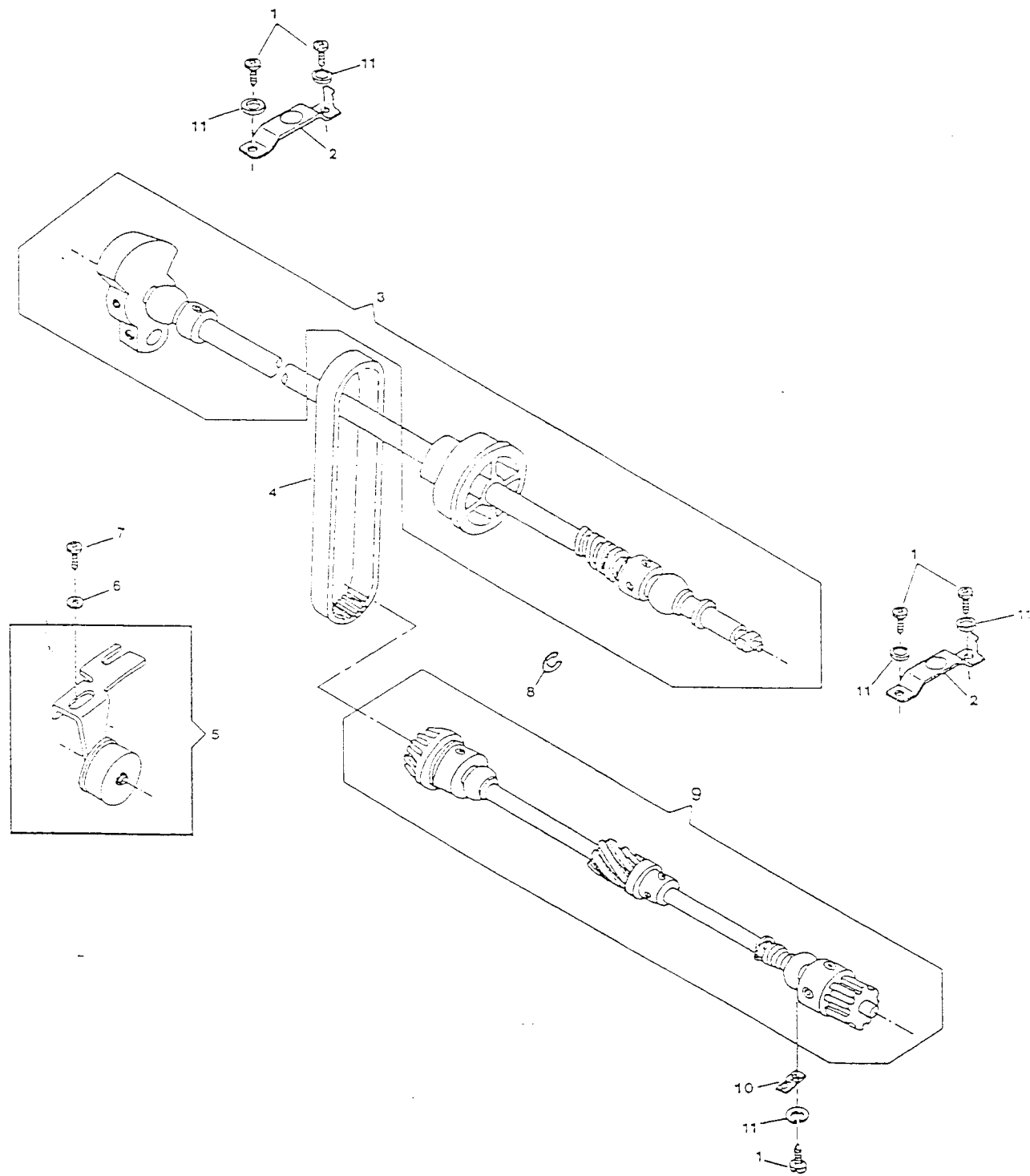


FILENAME: PLCOB86.IMG/EYE

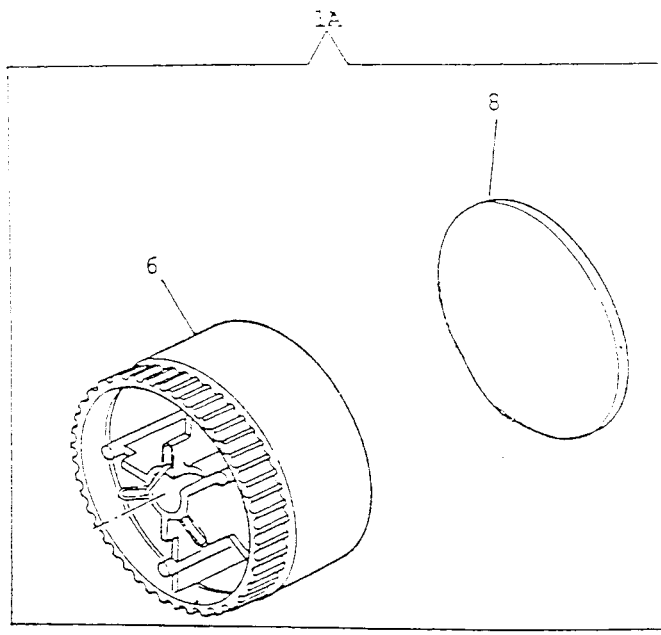
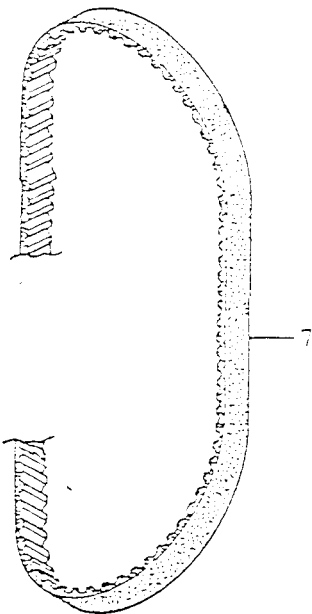
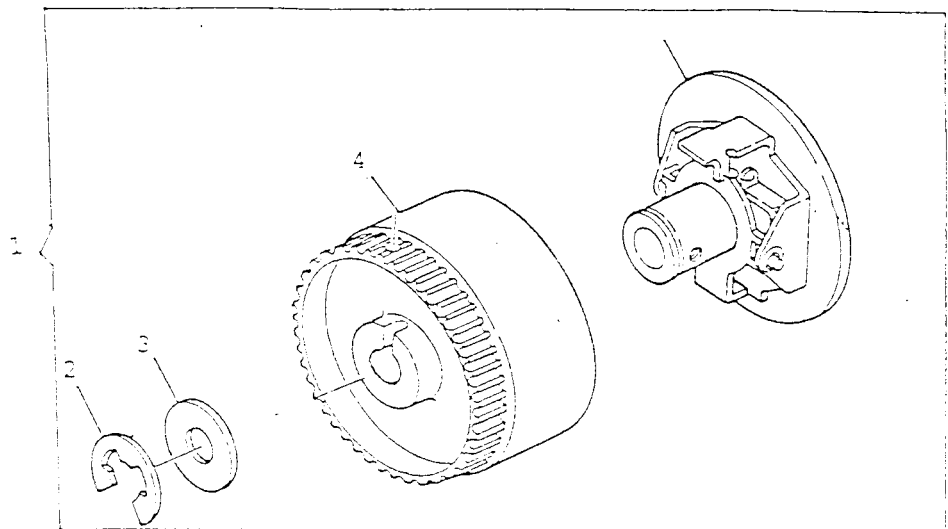
ARM SHAFT DRIVE SYSTEM
MODEL: 9027N503 N603 N664

REF. PART NO.	PART NO.	DESCRIPTION	9N	9N	9N
			05	06	06
			20	20	26
			73	73	74
1	113455-001	ARM SHAFT (HORIZONTAL) BUSHING (LEFT & RIGHT) CLAMP SCREW	X	X	X
2	312796	ARM SHAFT (HORIZONTAL) BUSHING (LEFT & RIGHT) CLAMP ASSEMBLY	X	X	X
3	286580-001	ARM SHAFT ASSEMBLY (APOLLO)	X	X	X
4	603975-011	BELT (ROTATING HOOK DRIVE) ALT:603975-012	X	X	X
5	313195	IDLER BRACKET ASSEMBLY	X	X	X
6	314041-451	ROTATING HOOK DRIVING BELT TENSION ADJUSTER SCREW WASHER	X	X	X
7	113455-002	ROTATING HOOK DRIVING BELT TENSION ADJUSTER SCREW	X	X	X
8	313153	HAND WHEEL RETAINING RING	X	X	X
9	314010	ROTATING HOOK DRIVE SHAFT SUB-ASSEMBLY	X	X	X
10	313816	ROTATING HOOK DRIVE SHAFT BUSHING (SELF-ALIGNING) CLAMP	X	X	X
11	314013-451	ROTATING HOOK DRIVE SHAFT BUSHING (SELF-ALIGNING) CLAMP SCREW AND ARM SHAFT BUSHING CLAMP SCREW LOCK WASHER	X	X	X

REV. DATE: 88/22/91 PAGE: 18
ARM SHAFT DRIVE SYSTEM



FILENAME: PLCOB18.IMG/EVE

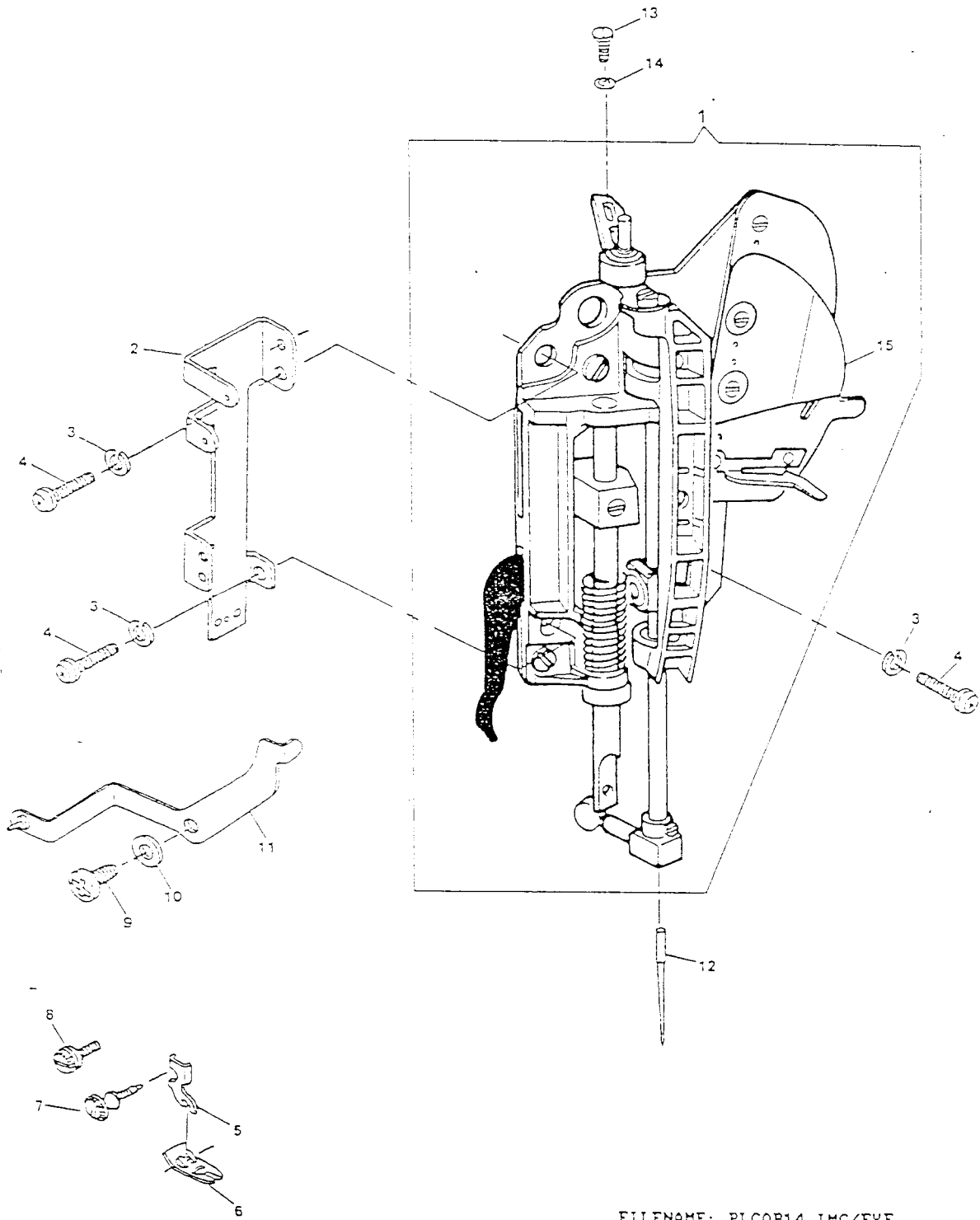


HAND WHEEL
 MODEL: 9027N503 N603 N664

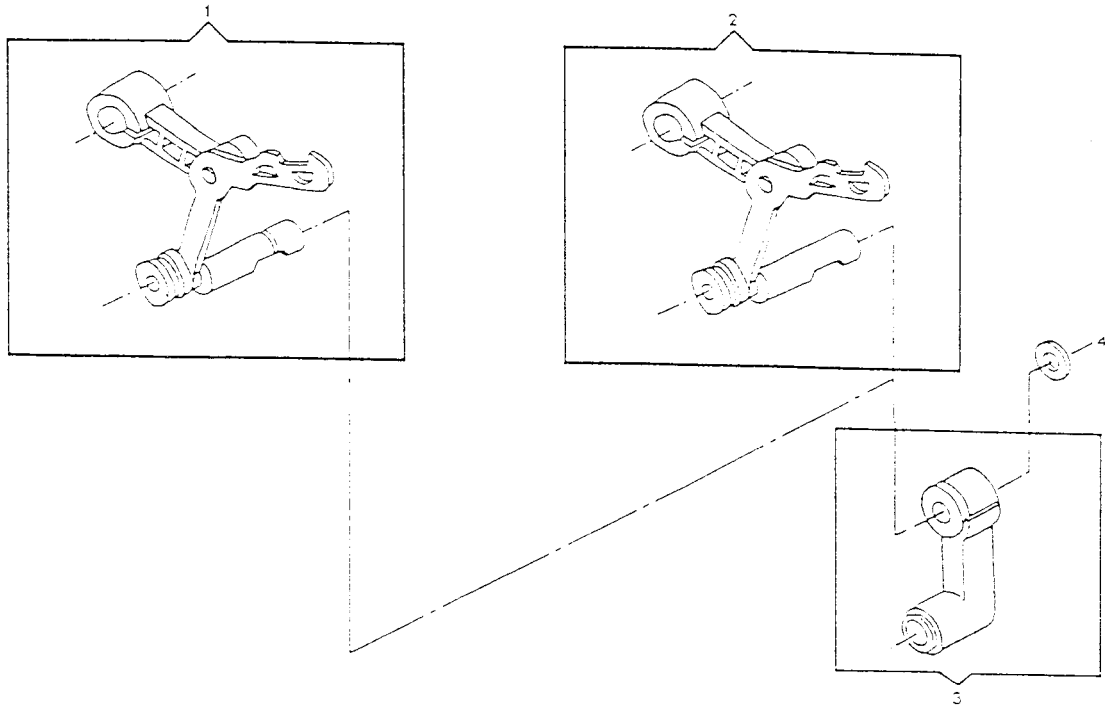
REF. PART NO.	PART NO.	DESCRIPTION	9N	9N	9N
			05	06	06
			20	20	06
			73	73	74
1	286589-001	HAND WHEEL COMPLETE	X	X	X
2	286695-451	HAND WHEEL DISENGAGING CLUTCH BUSHING RETAINING RING	X	X	X
3	286696-451	HAND WHEEL DISENGAGING CLUTCH BUSHING PLASTIC WASHER	X	X	X
4	286590-451	HAND WHEEL (PLASTIC)	X	X	X
5	286686-451	HAND WHEEL DISENGAGING CLUTCH MECH. COMP.	X	X	X
7	212608-001	BELT (MOTOR DRIVE)	X	X	X

COAXIAL PRESSER BAR SYSTEM FOR NEW HEND END
MODEL: 9027N503 N603 N664

REF. PART NO. NO.	DESCRIPTION	9N	9N	9N
		05	06	06
		20	20	26
		73	73	74
1 314695-001	HEAD END MODULE (APOLLO)	X	X	X
2 314591	FACE PLATE MOUNTING BRACKET	X	X	X
3 313955-451	HEAD END MOUNTING PLATE LOCK WASHER	X	X	X
4 113455-012	HEAD END MOUNTING PLATE SCREW	X	X	X
5 163706-451	PRESSER FOOT SHANK (SNAP-ON)	X	X	X
6 313150	PRESSER FOOT PLATE (SNAP-ON) FOR Zig-ZAG SEWING	X	X	X
7 113531-451	PRESSER FOOT THUMB SCREW	X	X	X
9 113455-001	NEEDLE THREAD TENSION RELEASE LEVER HINGE SCREW	X	X	X
10 314041-451	NEEDLE THREAD TENSION RELEASE LEVER RETAINING WASHER	X	X	X
11 317401	NEEDLE THREAD TENSION RELEASE LEVER ASSEMBLY	X	X	X
12 N2020-014	NEEDLE (SIZE NO.14)	X	X	X
13 113406-001	NEEDLE BAR DRIVING ARM BALL JOINT SCREW	X	X	X
14 931929-004	NEEDLE BAR DRIVING ARM BALL JOINT SCREW WASHER	X	X	X
15 314690	THREAD PINCH PLATE	X	X	X



FILENAME: PLCOB14.IMG/EYE

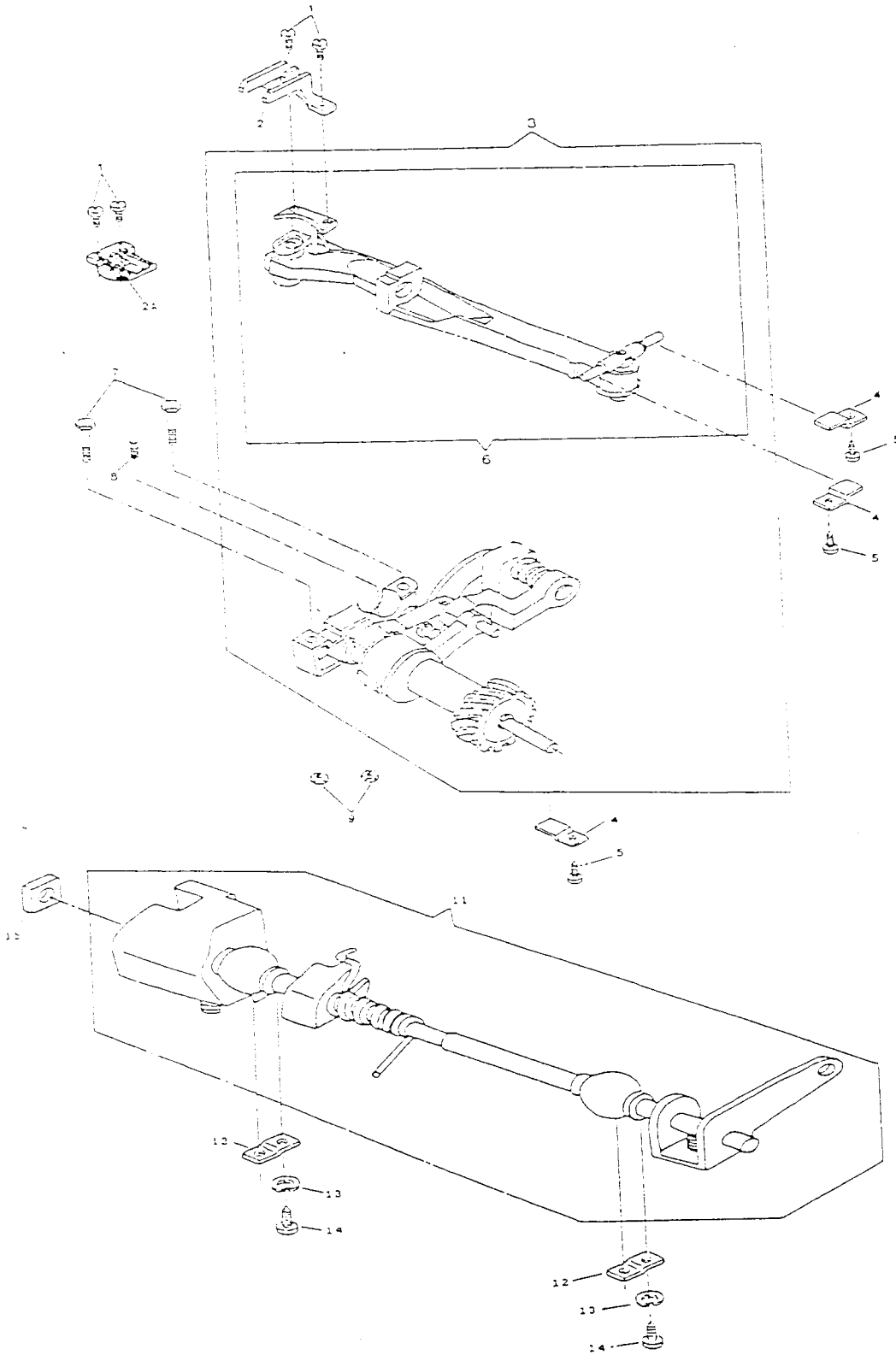


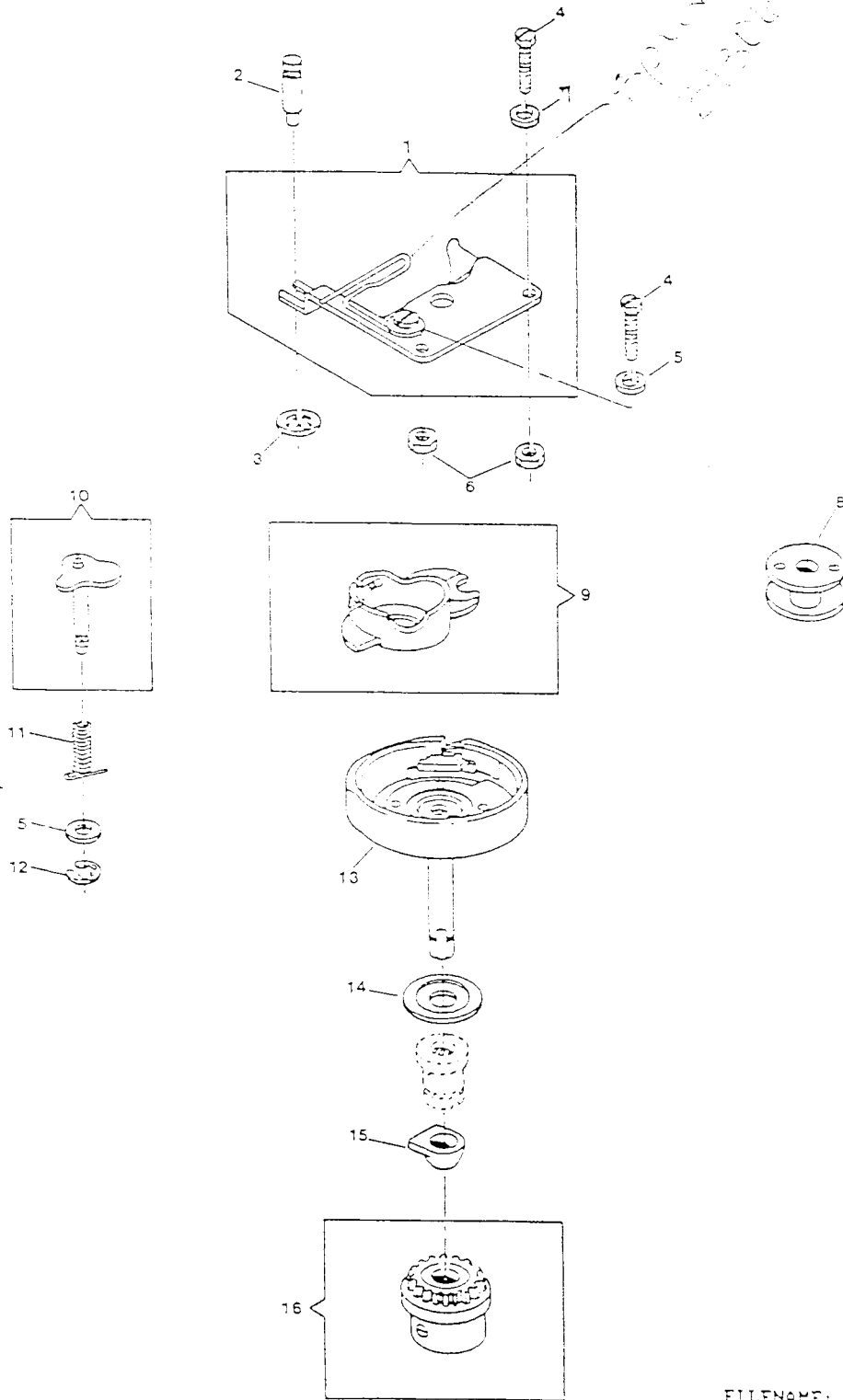
NEEDLE BAR & THREAD TAKE-UP FOR NEW HEND END
 MODEL: 9027N503 N603 N664

REF. PART NO.	PART NO.	DESCRIPTION	9N	9N	9N
			05	06	06
			20	20	26
			73	73	74
1	314694	THREAD TAKE-UP COMPLETE (APOLLO)	X	X	X
3	137528-901	NEEDLE BAR CONNECTING LINK	X	X	X
4	314071	WASHER, THREAD TAKE-UP LEVER	X	X	X

ALPHA FEED
MODEL: 9027N503 N603 N664

REF. PART NO. NO.	DESCRIPTION	9N	9N	9N
		05	06	06
		20	20	26
		73	73	74
1 141920-452	FEED DOG SCREW	X	X	X
2A 312679	FEED DOG (APOLLO) ALT:313171	X	X	X
3 314140-002	ALPHA FEED MODULE (ALT:313011)	X	X	X
4 312851	FEED BAR PIVOT HINGE STUD CLAMP	X	X	X
5 113455-003	CLAMP SCREW	X	X	X
6 314141	FEED BAR ASSEMBLY	X	X	X
7 354921-451	FEED & ROTATING HOOK DRIVE SHAFT BEARING BLOCK SCREW	X	X	X
8 314070	ROTATING HOOK DRIVE SHAFT BUSHING SPRING	X	X	X
9 514674-451	FEED & ROTATING HOOK DRIVE SHAFT BEARING BLOCK MOUNTING SCREW NUT	X	X	X
11 313138	FEED REGULATOR SHAFT ASSEMBLY	X	X	X
12 313616	FEED REGULATOR SHAFT BUSHING (SELF-ALIGNING) CLAMP	X	X	X
13 314013-451	FEED REGULATOR SHAFT BUSHING (SELF-ALIGNING) CLAMP SCREW LOCK WASHER	X	X	X
14 113455-001	FEED REGULATOR SHAFT BUSHING (SELF-ALIGNING) CLAMP SCREW	X	X	X
15 511030	FEED REGULATOR SLIDE BLOCK	X	X	X



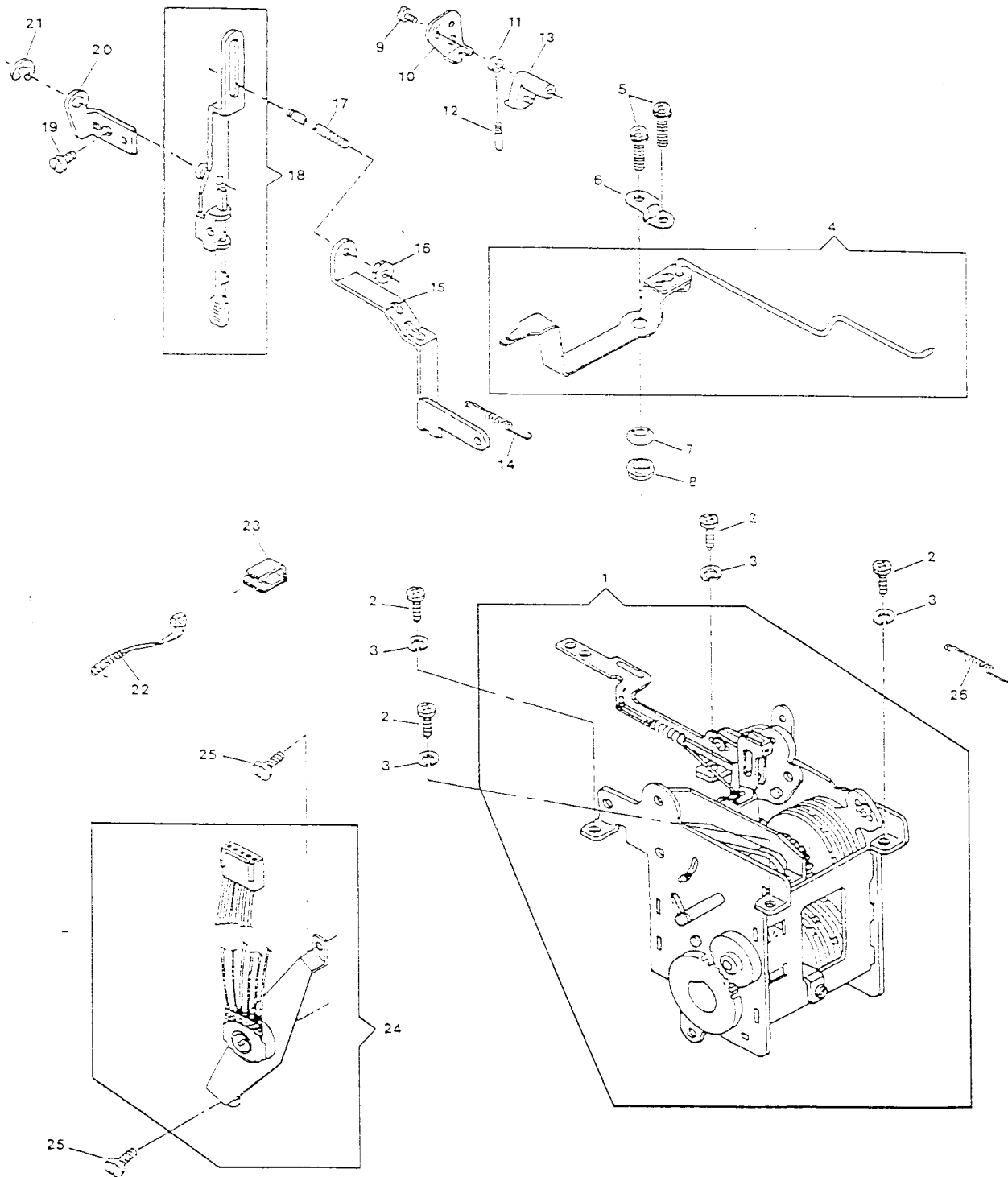


From the library of: Diamond Needle Corp

HOOK SYSTEM (APOLLO)
MODEL: 9027N503 N603 N664

REF. PART NO. NO.	DESCRIPTION	9N	9N	9N	
		05	06	06	
		20	20	26	
		73	73	74	
1	313089	ROTATING HOOK BOBBIN CASE POSITION PLATE ASSEMBLY	X	X	X
2	312603	ROTATING HOOK BOBBIN CASE POSITION PLATE HOLD DOWN STUD	X	X	X
3	313161	ROTATING HOOK BOBBIN CASE POSITION PLATE HOLD DOWN STUD RETAINER	X	X	X
4	113439-451	ROTATING HOOK BOBBIN CASE POSITION PLATE SCREW	X	X	X
5	313190-451	ROTATING HOOK BOBBIN CASE POSITION PLATE SCREW WASHER	X	X	X
6	313946-451	ROTATING HOOK BOBBIN CASE POSITION PLATE SCREW NUT	X	X	X
8	172336	ROTATING HOOK BOBBIN (PLASTIC)	X	X	X
8	172336-301	ROTATING HOOK BOBBIN (PLASTIC)	X	X	X
9	421325	ROTATING HOOK BOBBIN CASE COMPLETE	X	X	X
10	312846	ROTATING HOOK BOBBIN CASE RETAINING PLATE SUB-ASSEMBLY	X	X	X
11	312607	ROTATING HOOK BOBBIN CASE RETAINING PLATE STUD SPRING	X	X	X
12	313753	ROTATING HOOK BOBBIN CASE RETAINING PLATE STUD RETAINING RING	X	X	X
13	447926-932	ROTATING HOOK COMPLETE	X	X	X
14	314049	ROTATING HOOK FLANGED BUSHING THRUST WASHER	X	X	X
15	312647	ROTATING HOOK FLANGED BUSHING WASHER	X	X	X
16	314012	ROTATING HOOK BEVEL GEAR COMPLETE	X	X	X
16	314101-900	ROTATING HOOK BEVEL GEAR COMPLETE (ALT:314012)	X	X	X
7	446138	ROTATING HOOK BOBBIN CASE POSITION PLATE SCREW WASHER (RIGHT)	X	X	X

REV. DATE: 9/04/92 PAGE: 23
PATTERN STITCH LENGTH CONTROL AND CAM CONTROLLED FEED

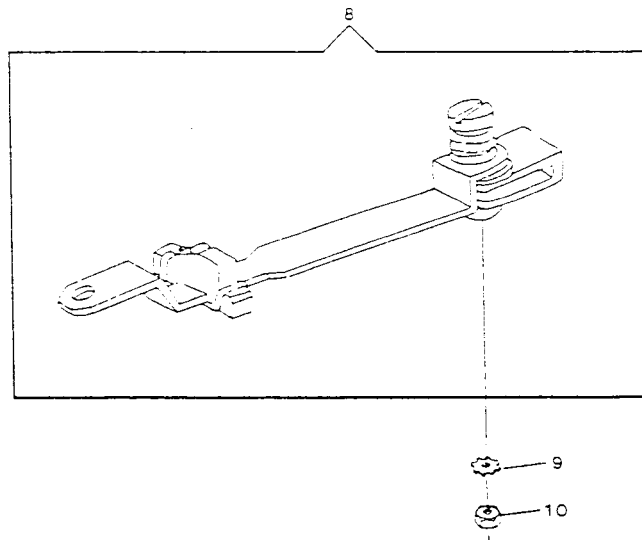
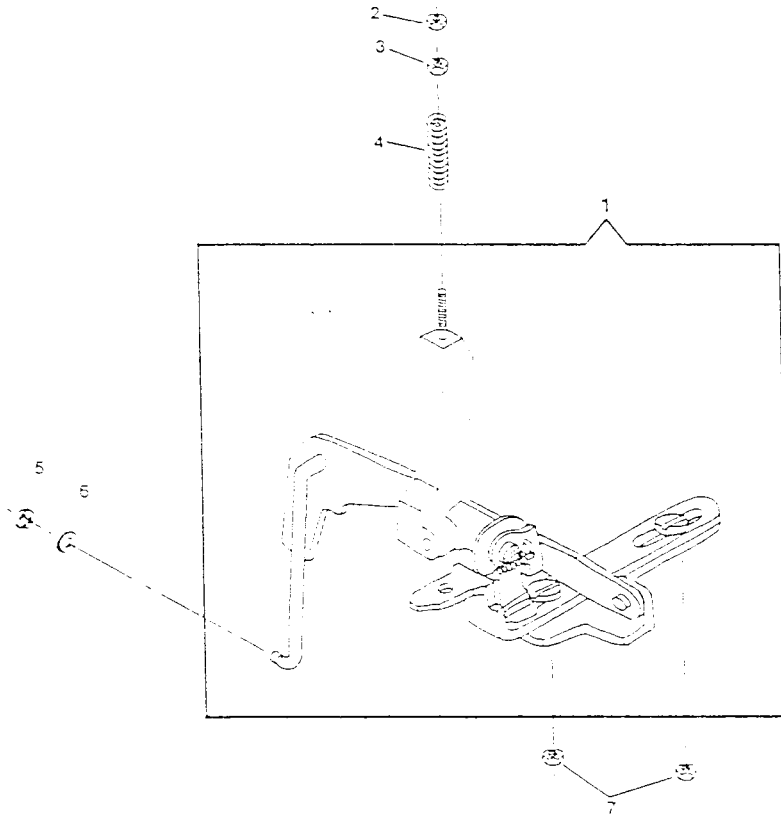


FILENAME: PLCOB23. /EYE

PATTERN, STITCH LENGTH CONTROL & CAM CONTROLLED FEED
 MODEL: 9027N503 N603 N664

REF. PART NO.	PART NO.	DESCRIPTION	9N	9N	9N
			05	06	06
			20	20	26
			73	73	74
1	317407-002	PATTERN SELECTOR MODULE	X	X	X
2	113455-001	DISC SELECTOR MECHANISM MOUNTING PLATE SCREW (LEFT AND RIGHT)	X	X	X
3	314013-451	DISC SELECTOR MECHANISM MOUNTING PLATE SCREW (LEFT AND RIGHT) LOCK	X	X	X
4	314507-003	EIGHT AMPLITUDE CONTROL LEVER ASSEMBLY	X	X	X
5	113455-014	EIGHT AMPLITUDE CONTROL LEVER STOP ADJUSTMENT SCREW	X	X	X
6	314683	EIGHT AMPLITUDE CONTROL LEVER RETAINER	X	X	X
7	353457	EIGHT AMPLITUDE CONTROL LEVER FRICTION WASHER	X	X	X
8	314611	EIGHT AMPLITUDE CONTROL LEVER SHOULDER WASHER	X	X	X
26	314497	NEEDLE BAR DRIVING ARM SLIDE POSITIONING SPRING	X	X	X

PATTERN STITCH LENGTH CONTROL AND CAM CONTROLLED FEED (CONT.)

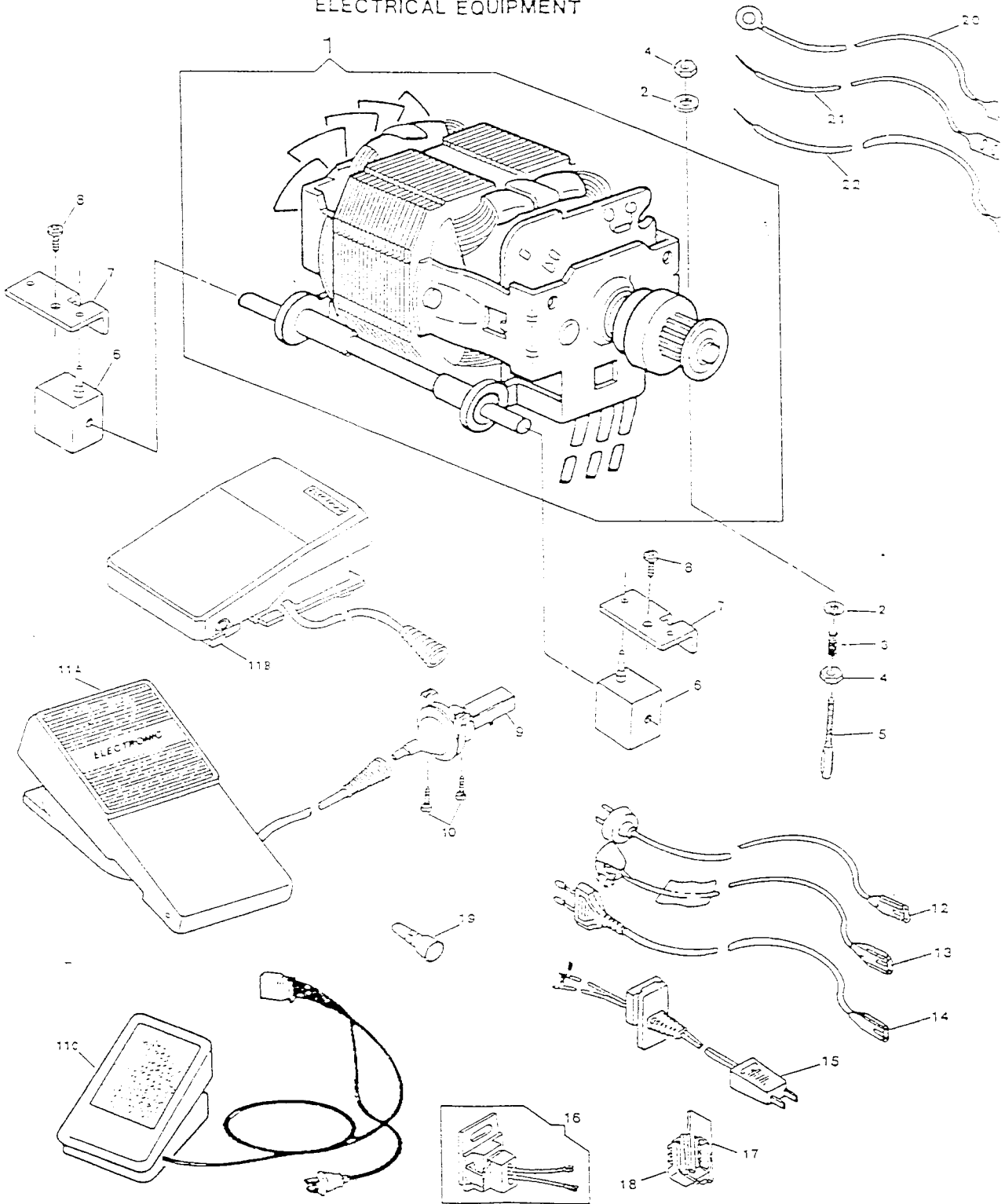


PATTERN, STITCH LENGTH CONTROL & CAM CONTROLLED FEED (CONT.)
 MODEL: 9027N503 N603 N664

REF. PART NO.	PART NO.	DESCRIPTION	9N	9N	9N
			05	06	06
			20	20	26
			73	73	74
1	314300-001	FEED REVERSE MECHANISM	X	X	X
2	314674-451	CAM CONTROLLED FEED CONNECTING ROD LOCKING NUT	X	X	X
3	312845-451	CAM CONTROLLED FEED DISC FOLLOWER ACTUATOR CONNECTING ROD ADJUSTING	X	X	X
4	313143	CAM CONTROLLED FEED DISC FOLLOWER ACTUATOR CONNECTING ROD SPRING	X	X	X
5	312702	FEED LEVER CONNECTING LINK RETAINING RING	X	X	X
6	313891	CAM CONTROLLED FEED CONNECTING ROD STABILIZING WASHER	X	X	X
7	314674-451	REVERSE FEED CONTROL LEVER GUIDE SCREW NUT	X	X	X
8	313549-001	STITCH LENGTH CONTROL LEVER ASSEMBLY	X	X	X
9	313172-451	STITCH LENGTH CONTROL LEVER PIVOT LOCK WASHER	X	X	X
10	313177-451	STITCH LENGTH CONTROL LEVER NUT	X	X	X

DEMAND RESPONSIVE NEEDLE TENSION SYSTEM
 MODEL: 9027N503 N603 N664

REF. PART NO.	PART NO.	DESCRIPTION	9N	9N	9N
			05	06	06
			20	20	26
			73	73	74
1B	137574-001	THREAD TENSION MODULE	X	X	X
2	313199	TENSION COVER MOUNTING RETAINER	X	X	X
3	137584	TENSION COVER RETAINING CLIP	X	X	X
4	137575-451	TENSION COVER ASSY (FRONT)			X
4A	137698-001	TENSION COVER ASSY (FRONT) WITH THREADING INSTRUCTION LABEL	X	X	
5	137588-451	TAPPING SCREW	X	X	X



ELECTRICAL EQUIPMENT
MODEL: 9027N503 N603 N664

REF. NO.	PART NO.	DESCRIPTION	9N	9N	9N
			05	06	06
			20	20	26
			73	73	74
1	317352	MOTOR COMPLETE (120V CARBON PILE)	X	X	
2	37969	MOTOR ADJUSTING STUD NUT WASHER	X	X	X
3	314058	MOTOR BELT TENSION SPRING	X	X	X
4	53646	MOTOR ADJUSTING STUD NUT	X	X	X
5	988653-001	MOTOR ADJUSTING STUD	X	X	X
6	979329-001	RESILIENT MOUNT	X	X	X
7	988651-001	CLIP	X	X	X
8	113470-004	MOTOR MOUNTING SCREW	X	X	X
11C	137904	FOOT CONTROLLER W/PLUG ASS'Y (240V) (U.K.)			X
11C	317281-001	CARBON PILE FOOT CONTROLLER ASSEMBLY (220V) (EUROPE) (FOR 9008N304) (DUAL VOLTAGE FOR U.S.A. /KOREA /GERMANY & H.K.)			X
11C	317281-003	CARBON PILE FOOT CONTROLLER ASSEMBLY (240V) (AUSTRALIA)			X
11C	319003-003	TRIAC FOOT CONTROLLER (120V, SPT-2)	X	X	X
11C	319003-005	TRIAC FOOT CONTROLLER (DUAL VOLTAGE) FOR U.S.A. ONLY)	X	X	
11C	319003-006	TRIAC FOOT CONTROLLER (FOR CANADA ONLY)	X	X	
17	317282-901	HOLDER (220V/240V) (FOR 9008N304) (DUAL VOLTAGE FOR U.S.A. /KOREA /GERMANY & H.K.)			X
17	317374-901	HOLDER (120V)	X	X	
18	317421	RECEPTACLE (120V)	X	X	
18	317428-900	RECEPTACLE (220V/240V) (FOR 9008N304)			X
19	317355	WIRE CONNECTOR	X	X	X
20	317356-001	LEAD (A) W/TERMINAL ASSEMBLY (120V)	X	X	
21	317356-002	LEAD (B) W/TERMINAL ASSEMBLY (120V)	X	X	

ELECTRICAL EQUIPMENT (CONT.)
MODEL: 9027N503 N603 N664

REF. PART NO. NO.	DESCRIPTION	9N	9N	9N
		05	06	06
		20	20	26
		73	73	74
1A 314823-001	LINT AND HEAD SHIELD ASSEMBLY (220/240V) (FOR 9008N304)			X
1B 314823-003	LINT AND HEAD SHIELD ASSEMBLY (120V)	X	X	X
2A 317439	LAMP SOCKET (220/240V) (FOR 9008N304)			X
3 540899	TY-WRAP SELF-LOCKING (ALT:605600-001)	X	X	X
4A 317397-902	LAMP SOCKET ASSY (120V, DOUBLE INSULATION)	X	X	
5 113455-003	THREAD TAKE-UP COVER AND LINT/HEAT SHIELD SCREW	X	X	X
6 446138	HEAT SHIELD MOUNTING SCREW WASHER	X	X	X
7 544211-002	HEAT SHIELD MOUNTING SCREW	X	X	X
8 194120-021	LIGHT BULB (240V) (ALT:542656-004)			X
8 194120-020	LIGHT BULB (220V) (ALT:542656-003) (FOR 9008N304)			X
8 194120-019	LIGHT BULB (120V) (ALT:542656-005) (DUAL VOLTAGE FOR U.S.A./KOREA/GERMANY & H.K.)	X	X	X
10 979585-007	ROCKER SWITCH (#3913)	X	X	X

